











Fashion Bed Group

A Division of Leggett & Platt Incorporated

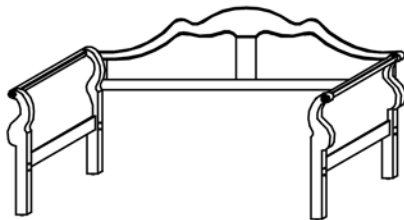
Parts List For Surrey Daybed

PART#147100000 HARDWARE FOR SURREY DAYBED

- (A) 1/4-20 X 3 1/4" FLAT ALLEN HEAD SCREW-8
- (B) 1/4-20 X 2" FLAT ALLEN HEAD SCREW-4
- (C) 1/4-20 FLANGED HEX NUT-8
- (D) ALLEN WRENCH-1
- (E) Brass Medallion-2
- (F) Brass Brads-4
- (G) Wood Buttons-2
- (H) OPEN WRENCH
- (I) 5/16-18 X 1/2" SCREW-4
- (J) 5/16-18 HEX NUTS

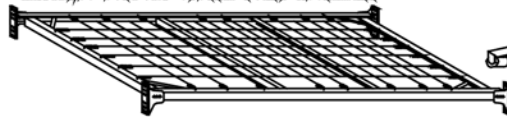
A 	B 	C 	D HEX KEY 	E 
F 	G 	H 	I 	J 

SAVE ALL PACKAGING MATERIALS UNTIL PRODUCT IS FULLY ASSEMBLED. HARDWARE AND SMALL PIECES MAY NOT BE SEEN AND BE ACCIDENTALLY DISCARDED WITH PACKAGING MATERIALS.

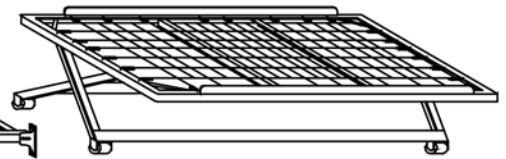


DAYBED FULLY ASSEMBLED

MATRESS SUPPORT SYSTEM FULLY ASSEMBLED



OPTIONAL



POP-UP TRUNDLE

NOTES:

- For ease of assembly you will need a helper.
- ASSEMBLED THE SUPPORT SYSTEM FIRST (SEE ASSEMBLY SHEET INCLUDED AND HARDWARE KIT WITH SUPPORT UNIT)
- FOR THE ASSEMBLY OF THIS UNIT INTO SLIEGH BED, USE EXTRA HARDWARE INCLUDED WITH THE DAYBED. (ITEMS I & J)
- Do not tighten all screws until the mattress support system and the back panel of the daybed have been assembled to the side arms.
- After assembly of the mattress support system and the back panel to the sides tighten all connections
- Periodically retighten all screws.

STEPS

- (1) Bolt one end of the mattress support system to one daybed arm. Use 4 screws (A) and 4 flange nuts (C). (See Figure 1)
- (2) Repeat Step 1 for second daybed arm.
- (3) Bolt one end of the daybed back to one arm. Insert 2 screws (B) through the back rails and into the threaded inserts in the back post. (See Fig. 1)
- (4) Repeat Step 3 for second end of daybed back.
- (5) Tighten all bolts using the Allen wrench (D) and open wrench (H).
- (6) You are now ready for mattress installation.

Sleigh bed Option

Omit Step 3 and Step 4 above (back rail attachment). Instead attach a brass medallion over the top bolt hole of each back leg using 2 brass brads. Plug the bottom bolt holes with the wood buttons (included). (See Figure 2)

See page 3 of 3 for more assembly information.

Instruction Sheet

MATTRESS SUPPORT SYSTEM

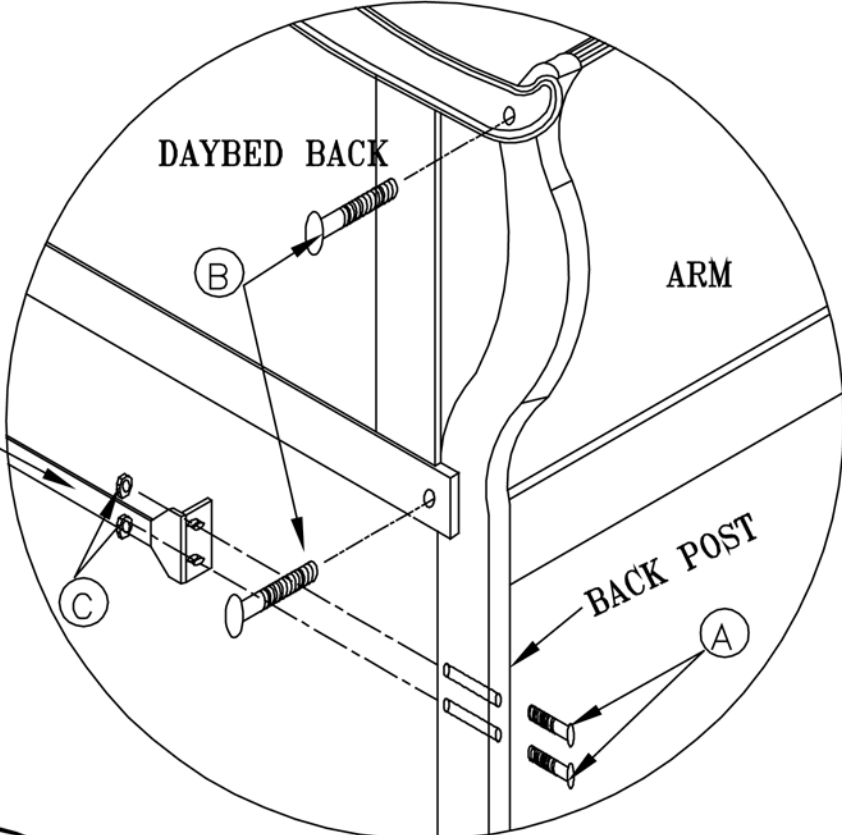


Fig. 1

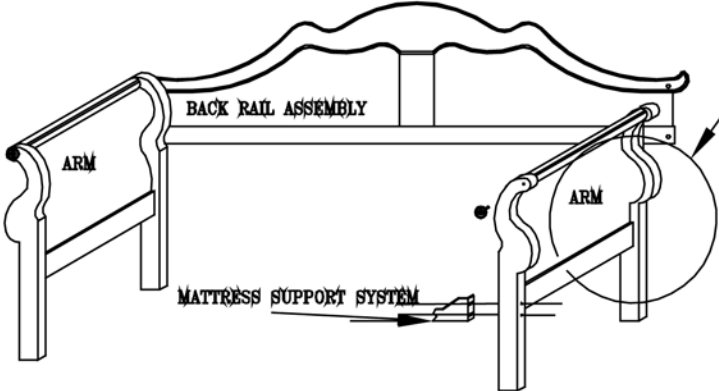
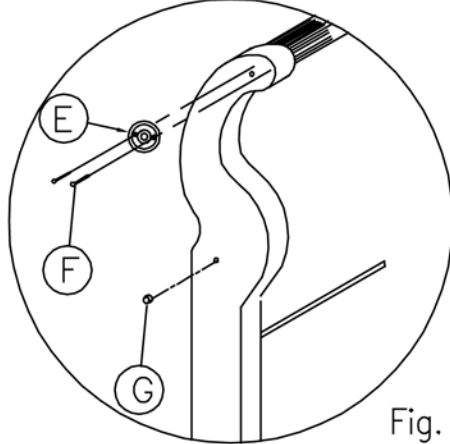
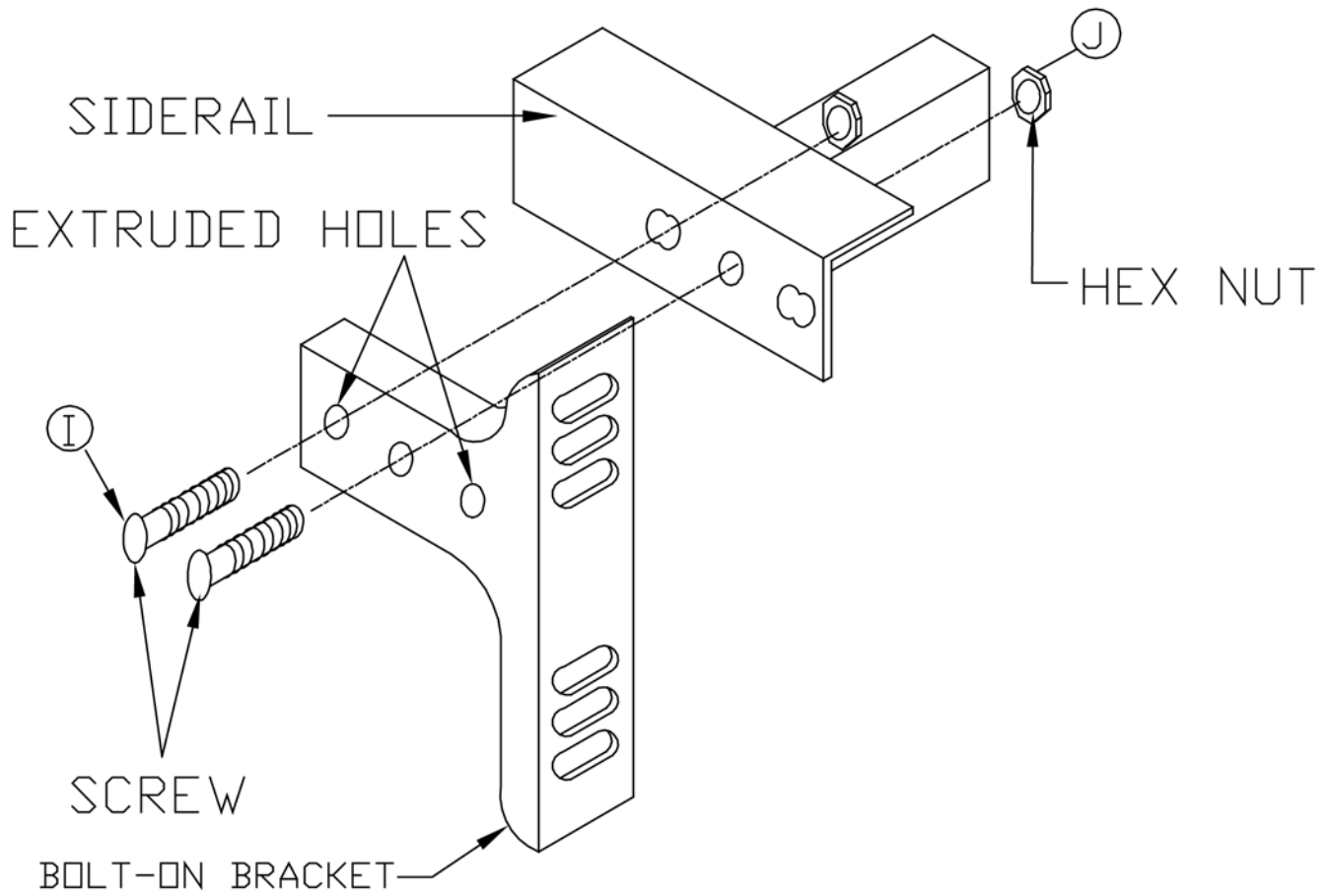


Fig. 2



BACK POST

Instruction Sheet



IMPORTANT: The long taper on the bolt-on bracket must be below the side rail as shown.

Insert screw (I) thru center hole in bracket and secure with nut (J). Insert screw (I) thru one of the remaining holes in the bracket and secure with nut (J). Repeat on all four brackets.